

TECHNICAL DATA SHEET

MRT 2150 PRIVILEGE + **Manitou Telescopic**



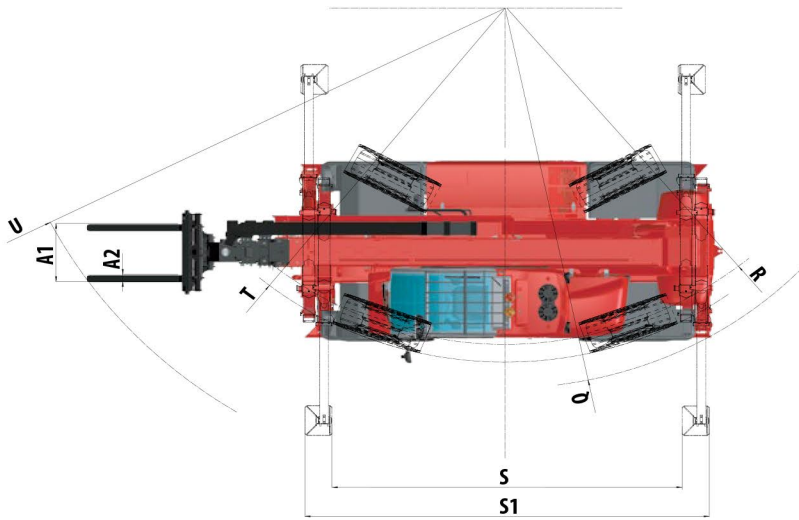
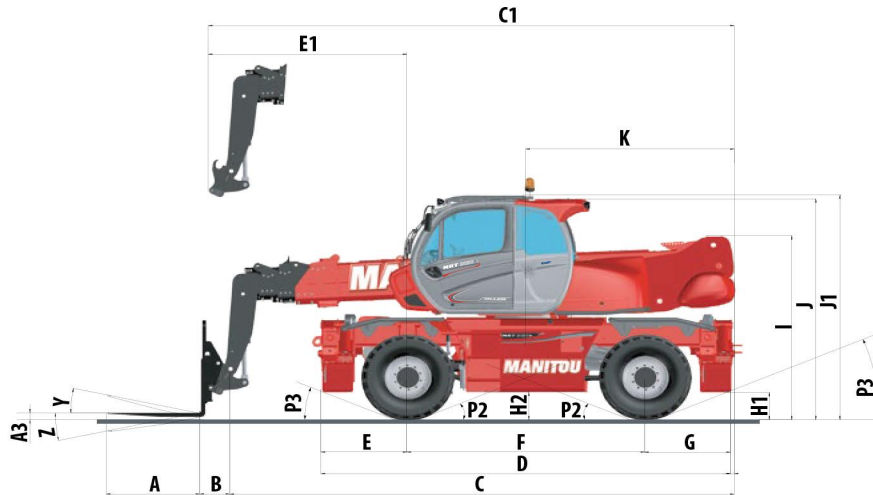


MRT 2150 PRIVILEGE +



| MRT 2150 Privilege + | |
|--|--|
| Lifting | |
| Max. capacity with forks at 500 mm LC | 4999 kg |
| Max. lifting height | 20.90 m |
| Max. outreach | 17.90 m |
| Tyres | 445 / 65 R22.5 |
| Stabilizers | duplex telescopic simultaneously and individually controlled |
| Full continuous rotation | turret mounted on a double slew ring with internal gearing / slewing system with negative brake |
| Frame levelling / oscillating axle | on front axles +/- 8° oscillating rear axle with automatic hydraulic lock out on rotation (> +/- 7.5°) and boom height (> 55°) |
| Braking | |
| Service brake | oil bath multiple disc brakes hydraulically assisted on both axles |
| Parking brake | automatic negative parking brake |
| Engine | |
| Type | MERCEDES - STAGE 4 - FINAL TIER 4 |
| Displacement | OM 934 E4-5 |
| Power | 4 cylinders - 5.13 liters |
| Max torque | 156 HP/115 kW |
| Gradeability | 675 Nm - from 1200 to 1500 rpm |
| Batteries | 40% |
| Transmission | 24 V: 2x 12V - 120 Ah - 850 A |
| Drive wheels | hydrostatic |
| Steering mode | 4 wheel drive |
| Max. travel speed <small>(may vary according to applicable regulations)</small> | 4 wheel steer - 3 steering modes |
| Controls | 36 kph |
| Hydraulics | 2 multi-function joysticks |
| Hydraulic pump | 115 l/min – 275 bar gear type |
| Capacities | |
| Hydraulic oil | 225 l |
| Fuel | 305 l |
| Urea (AdBlue type *) | 57 l |
| Unladen weight (with forks) | 17930 kg |
| Dimensions | |
| Overall width | 2.49 m |
| Overall width <small>(stabilizers extended)</small> | 5.55 m |
| Overall height | 3.05 m |
| Overall length to carriage | |
| Turning radius <small>(over tyres)</small> | 4.88 m |
| Ground clearance | 0.35 m |
| Standard forks <small>(length x width x thickness)</small> | 1200 x 150 x 50 mm |
| Safety | load state monitoring system (crane norm) attachement recognition system (E-Reco) cab compliant with ROPS / FOPS level II standard |
| Noise and vibration | |
| Noise at driving position (LpA) | 79.7 dB |
| Environmental noise (LwA) | 104 dB |
| Vibration to whole hand/arm | <2.50 m/s ² |

MRT 2150 PRIVILEGE+



| mm | MRT 2150 |
|----|----------|
| A | 1200 |
| A1 | 150 |
| B | 385 |
| C | 6485 |
| C1 | 6760 |
| D | 5350 |
| E | 1150 |
| E1 | 2560 |
| F | 3050 |
| G | 1150 |
| H1 | 350 |
| H2 | 350 |
| I | 2630 |
| J | 3000 |
| J1 | 3050 |
| K | 2675 |

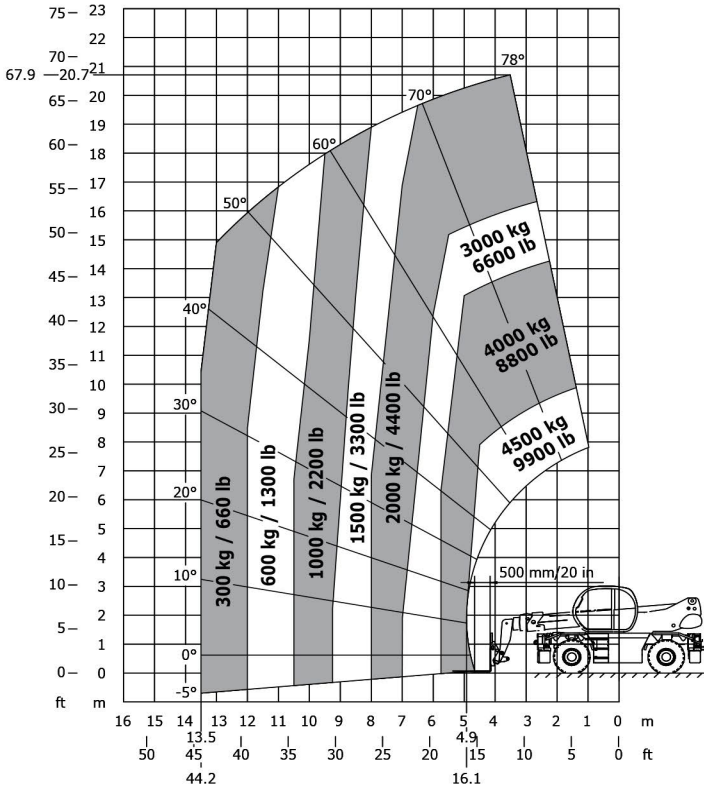
| mm | MRT 2150 |
|----|----------|
| L | 2050 |
| M | 2490 |
| N | 5140 |
| O | 5555 |
| P | 230 |
| P2 | 15° |
| P3 | 22° |
| Q | 5235 |
| R | 4650 |
| S | 4500 |
| S1 | 5190 |
| T | 4880 |
| U | 6550 |
| V | 950 |
| Y | 12° |
| Z | 105° |



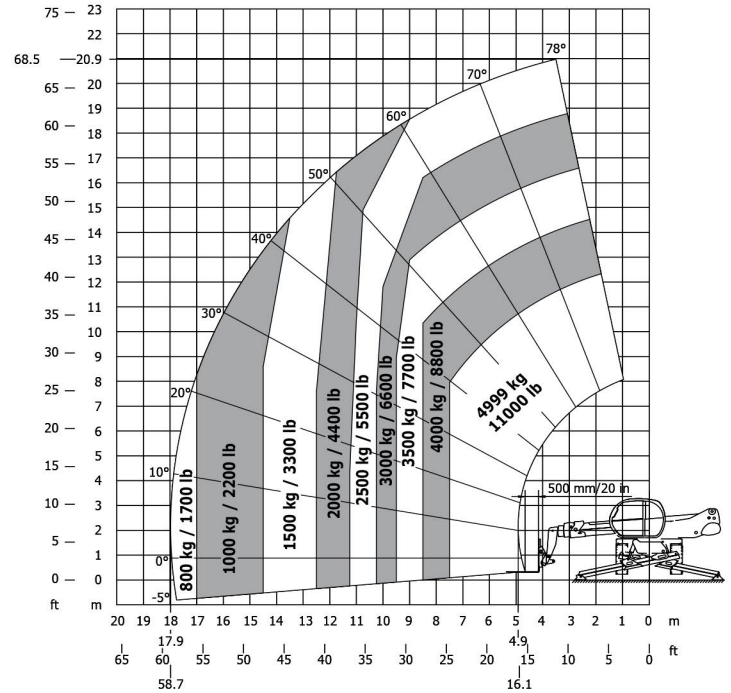
MRT 2150 PRIVILEGE +



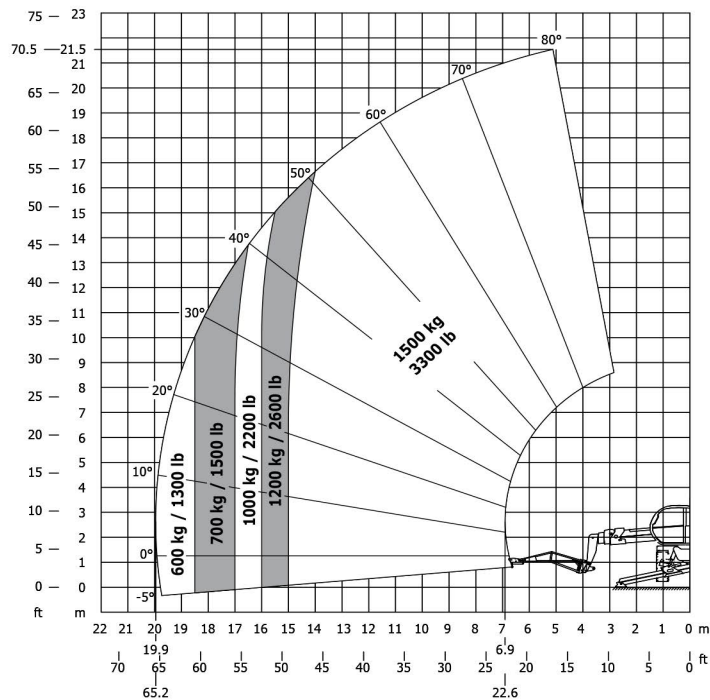
**Frontal on wheels
with forks**



**Rotation on extended stabilizers
with forks**



**Rotation on extended stabilizers
with 1500 jib**

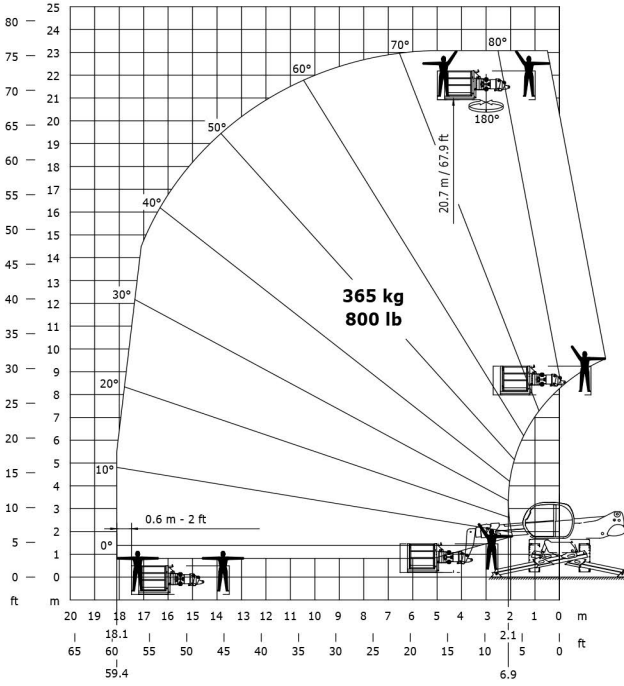




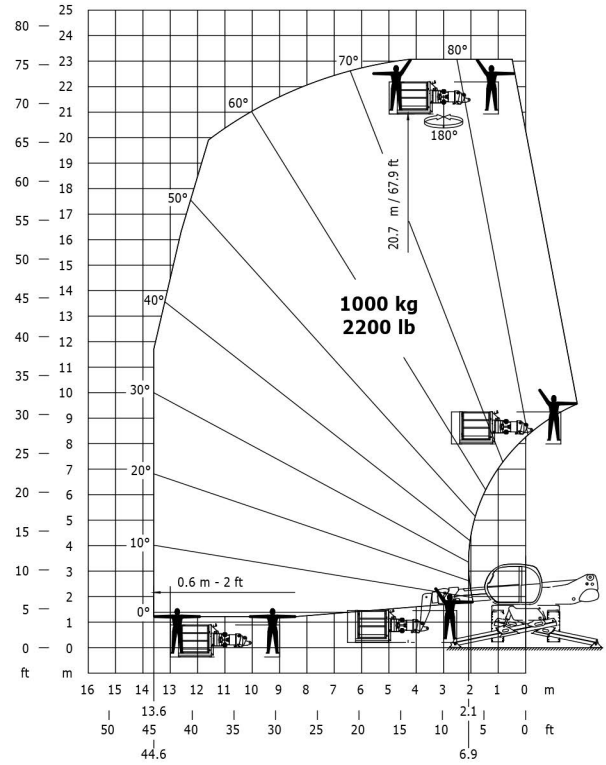
MRT 2150 PRIVILEGE +



Rotation on extended stabilizers
with 365 kg platform



Rotation on extended stabilizers
with 1000 kg platform



Rotation on extended stabilizers
with 5000 kg winch

