



D 150 AHG



www.ausa.com

**AUSA Center, S.L.** ● Ctra. de Vic, Km 2.8 - P.O.B. 194. 08243 Manresa - BARCELONA (ESPAÑA) Tel.: +34 93 874 73 11 - E-mail: ausa@ausa.com



ISO 9001 ISO 14001



**AUSA Madrid** ● Pol. Ind. Coslada - C. Marconi 15-17. 28823 Coslada - MADRID (ESPAÑA) Tel.: +34 91 669 00 06 - E-mail: ausa.madrid@ausa.com

**AUSA France** ● Z. I. Saint Charles - Rue de Zürich, 66000 PERPIGNAN (FRANCE) Tel.: +33 (0) 4 68 54 38 97 - E-mail: ausa.france@ausa.com

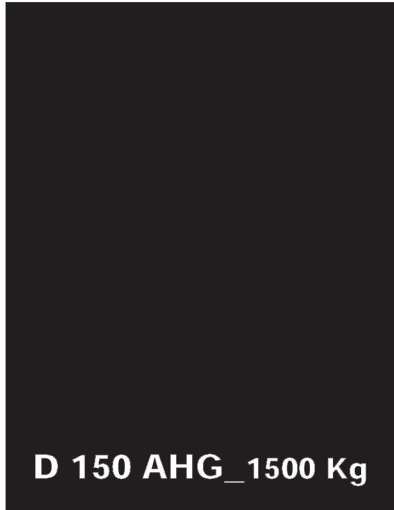
**AUSA Deutschland** ● Heinrich - Welken Str. 5. 59069 HAMM (GERMANY) Tel.: +49 (0) 2384-9889905 - E-mail: ausa.deutschland@ausa.com

**BEIJING Rep. Office** ● Address Room 527. HengXiang Building, Tuanjiehu Nanli, Chaoyang District. - BEIJING 100026 (CHINA)

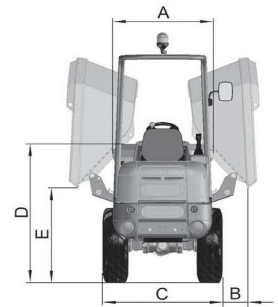
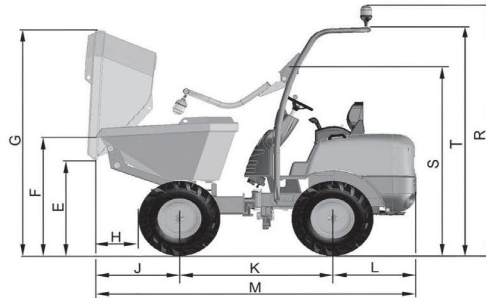
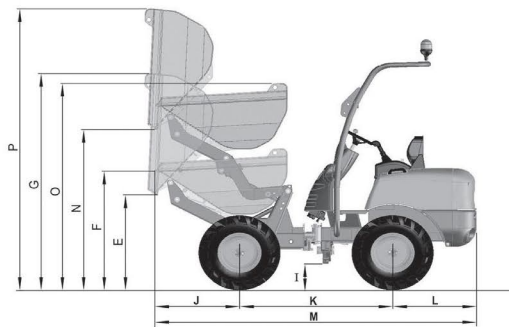
Tel.: 86-10-8597 1983 - Fax: 86-10-8597 1993 - E-mail: ausa.china@ausa.com

**AUSA UK** ● Tel.: 07970639988 - E-mail: ausa.uk@ausa.com

(Sede central AUSA-Manresa)



DIMENSIONS (mm)	D 150 AHG
A	1391
B	100
C	1450
D	1500
E	1030
F	1275
G	2525
H	435
I	275
J	820
K	1600
L	820
M	3240
N	-
O	-
P	-
R	2600
S	2015
T	2450



**TECHNICAL SPECIFICATIONS**

		D 150 AHG
<b>Load capacity (Kg)</b>		1500
<b>Unloading system</b>		Hydraulic, 180° rotating
<b>Chassis</b>		Articulated +/- 35° and oscillating +/- 13°
<b>Hopper capacities (l)</b>	Water	520
	Levelled	626
	Heaped	835
<b>Engine</b>		Kubota D1105
	Power acc./SAE J 1995 (KW/CV)	16,8 KW / 22,8 CV (2700 rpm)
	N° of Cylinders	3
	Cooling system	Water
<b>Traction</b>		4 x 4 permanent
<b>Transmission</b>		Hydrostatic with variable flow pump automatic regulation. Forward and reverse control on the joystick.
<b>Engine starting system</b>		Electric
<b>Speed (max.) (Km/h)</b>		14
<b>Axles</b>		Axles with planetary wheel reduction
<b>Unladen weight (Kg)</b>		1510
<b>Gradeability</b>		40%
<b>Hydraulic circuit</b>		Gear pump of 8 cc. Working pressure 210 bar.
<b>Tyres</b>	Standard	10.0/75-15.3"
	Optional	-
<b>External turning radius (mm)</b>		3060
<b>Steering</b>		Hydraulic
<b>Tank capacity (l)</b>	Fuel	23
	Hydraulic fluid	21.2
<b>Service and parking brake</b>		Sealed oil-immersed, multidisc, mechanically operated
<b>STANDARD EQUIPMENT</b>		Anti vandal system Ergonomic with safety belt Joystick ROPS Rotating beacon Rear view mirror Audible reverse warning (Std. UK)
<b>OPTIONAL EQUIPMENT</b>		Great confort seat FOPS overhead guard Homologated lighting equipment Metal engine canopy Towing hitch

AUSA reserves the right to make any changes in the specifications without prior notice.