

D 1000 APG



www.ausa.com

AUSA Center, S.L. ● Ctra. de Vic, Km 2.8 - P.O.B. 194. 08243 Manresa - BARCELONA (ESPAÑA) Tel.: +34 93 874 73 11 - E-mail: ausa@ausa.com



AUSA Madrid ● Pol. Ind. Coslada - C. Marconi 15-17. 28823 Coslada - MADRID (ESPAÑA) Tel.: +34 91 669 00 06 - E-mail: ausa.madrid@ausa.com
AUSA France ● Z. I. Saint Charles - Rue de Zürich, 66000 PERPIGNAN (FRANCE) Tel.: +33 (0) 4 68 54 38 97 - E-mail: ausa.france@ausa.com
AUSA Deutschland ● Heinrich - Welken Str. 5. 59069 HAMM (GERMANY) Tel.: +49 (0) 2384-9889905 - E-mail: ausa.deutschland@ausa.com
BEIJING Rep. Office ● Address Room 527. HengXiang Building, Tuanjihu Nanli, Chaoyang District. - BEIJING 100026 (CHINA)
 Tel.: 86-10-8597 1983 - Fax: 86-10-8597 1993 - E-mail: ausa.china@ausa.com

AUSA UK ● Tel.: 07970639988 - E-mail: ausa.uk@ausa.com
AUSA Brasil ● Tel.: +55 51 32622111 - E-mail: ausa.brasil@ausa.com

(Sede central AUSA-Manresa)



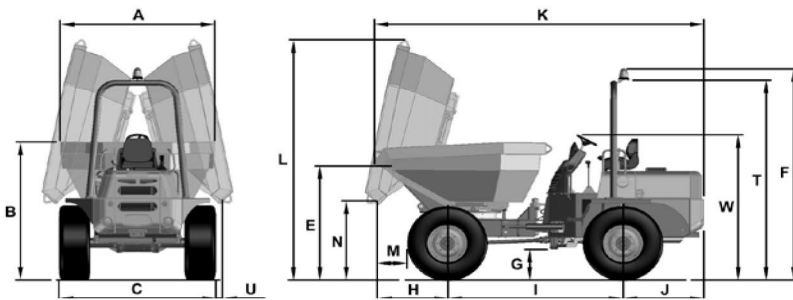
D 1000 APG_10000 Kg



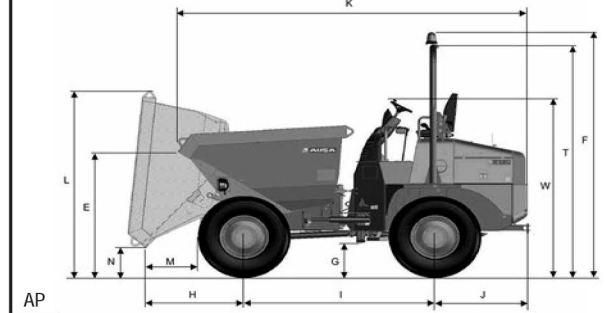
www.ausa.com

DIMENSIONS (mm)		D 1000 APG
A		2480
B		2385
C		2440
E		1950
F		3560
G		490
H		980
I		2450
J		1220
K		4740
L		3820
M		380
N		1100
T		3375 / 3220 (*)
U		110
W		2550

(*) Closed cabin



APG



AP

TECHNICAL SPECIFICATIONS

D 1000 APG

Load capacity (Kg)		10000
Unloading system		Hydraulic, 180° side rotating
Chassis		Articulated and oscillating
Hopper capacities	Water	1950
	Levelled	3140
	Heaped	4790
Engine	Diesel	KUBOTA V3800-CR-TIE4 with Diesel Particulate Filter and Diesel Oxidation Catalyst (DPF and DOC)
Stage IIIB / Tier 4 Int.	Power (KW/HP)	85 / 114
	N° of Cylinders	4
	Cooling system	Water
Engine	Diesel	KUBOTA V3800T
Stage III B / Tier 4	Power (KW/HP)	72.8 / 99
	N° of Cylinders	4
	Cooling system	Water
Engine	Diesel	KUBOTA V3800T
Non-EU EMISSION	Power (KW/HP)	72.8 / 99
Stage IIIA / Tier 3	N° of Cylinders	4
	Cooling system	Water
Traction		4 x 4 permanent
Transmission		Torque converter with synchronized gear box. 4 ratios forwards and 4 ratios backwards by means of an electro-hydraulic device. Axles with planetary reduction on differential output
Engine starting system		Electric
Speed (max.) (km/h)		38
Unladen weight (Kg)		4990
Gradeability		60%
Hydraulic circuit		Gear pump of 25 cc. Working pressure 180 bar
Tyres	Front	500/60-22,5" (16PR")
	Rear	500/60-22,5" (16PR")
External turning radius (mm)		5950
Steering		Hydraulic. Working pressure 115 bar
Tank capacity (l)	Carburant (l)	70
	Hydraulique	65
Service brake		Oil-immersed, multidisc, hydraulically operated
Parking brake		Oil-immersed, multidisc, mechanically operated

STANDARD EQUIPMENT

OPTIONAL EQUIPMENT

Ergonomic seat with safety belt
Anti vandal system
Audible reverse warning
Rotating beacon
Foldable ROPS arch
Closed cabin with heating
Air conditioning
Homologated lighting equipment
Towing hitch
Stop emergency
Full visibility System with front and rear camera and 7" TFT water-proof color display
Limited slip differential with negative parking brake
Homologated ROPS/FOPS driver protective roof (with and without sun protector)